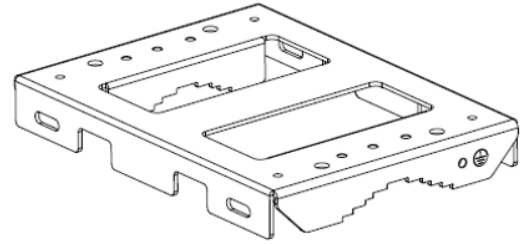


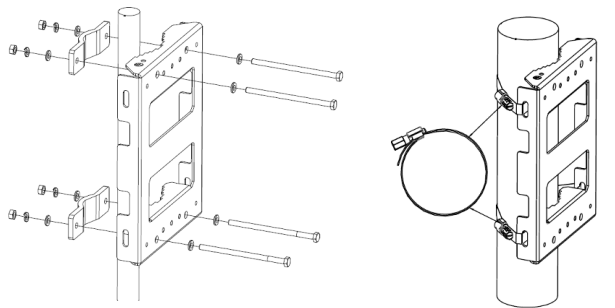
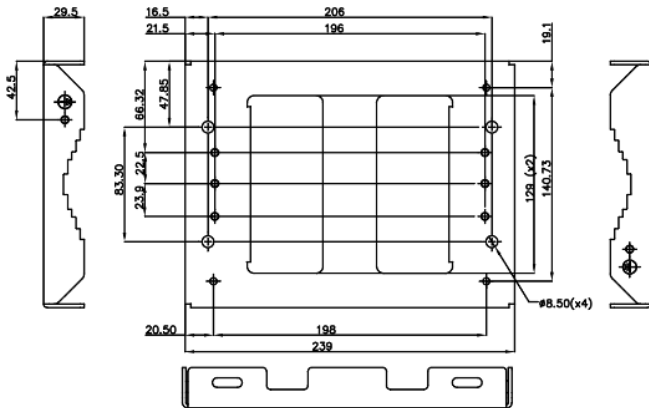
Outdoor Mounting Bracket PD-OUT/MBK/S



Summary

Our PD-OUT/MBK/S outdoor mounting bracket is designed for wall-mount installations as well as small- and large-pole (up to 8" diameter) installations.

Mechanical Dimensions



Technical Specifications

Mounting bracket compatible with Microchip products	PD-ACDC90GO/AC PD-9001GO/AC PD-9501GO/AC PD-9601GO/AC PDS-104GO/AC/M PDS-104MO/AC/M
Environment	Indoor/outdoor
Pole mount	1" < ϕ < 8" (25.4 mm < ϕ < 203.2 mm)
Material	SAE 1020 sheet, 2.5 mm thick
Weight	1.6 Kg (3.53 lbs.)
Warranty	3 years

Features

- Robust installation
- Easy installation process
- Indoor and outdoor environments

Package Information

The PD-OUT/MBK/S package includes:

Quantity	Name
1	Mount bracket
2	Worm clamp
2	Omega
6	M5/16 panhead screw
2	M5 washer
2	M5 flat washer
4	M6/110 hex screw
8	M6 flat washer
4	M6 spring washer
4	M6 nut

Technical Support

For technical support, please visit the Microchip Technical Support Portal at www.microchip.com/support.

Ordering Information

Part Number	Name	Description
PD-OUT/MBK/S	Outdoor MBK	Mounting bracket for outdoor midspans and switches

Contact Microchip for other options

About Microchip mPoE



Microchip multi-Power over Ethernet (mPoE) is a technology that powers any wired network device seamlessly and efficiently, making it the ideal solution for Ethernet-based applications. Leveraging a uniquely designed algorithm, this technology solves interoperability issues between different PoE standards and legacy solutions to provide an international network power standard. As a pioneer in PoE technology, we offer a comprehensive end-to-end portfolio of PoE solutions comprised of PoE ICs and PoE systems (midspans/injectors and switches).