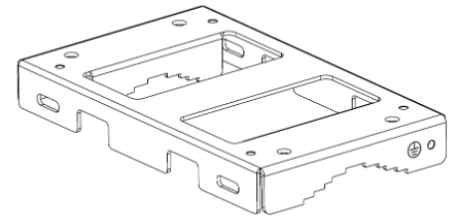


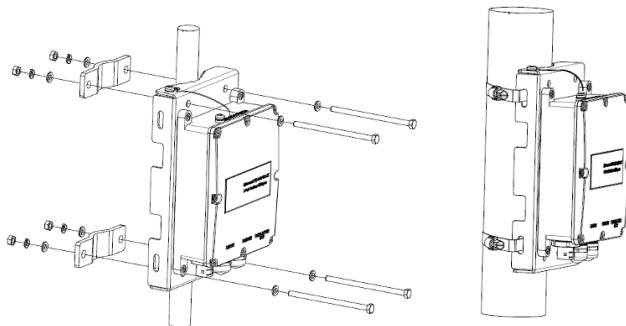
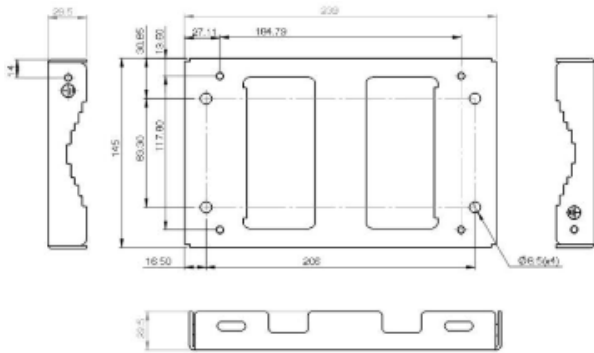
Outdoor Mounting Bracket PD-OUT/MBK/ET



Summary

Our PD-OUT/MBK/ET outdoor mounting bracket is designed for wall-mount installations as well as small and large-pole (up to 8" diameter) installations.

Mechanical Dimensions



Technical Specifications

| | |
|--|---|
| Mounting bracket compatible with Microchip products | PD-9001GO-ET/AC PD-9501GO-ET/AC |
| Environment | Indoor/outdoor |
| Pole mount | 1" < ϕ < 8" (25.4 mm < ϕ < 203.2 mm) |
| Material | SAE 1020 sheet, 2.5 mm thick |
| Weight | 1.6 Kg (3.53 lbs) |
| Warranty | 3 years |

Features

- Robust installation
- Easy installation process
- Indoor and outdoor environments

Package Information

The PD-OUT/MBK/ET package includes the following:

| Quantity | Name |
|----------|----------------------|
| 1 | Mount bracket |
| 2 | Worm clamp |
| 2 | Omega |
| 6 | M5/16 flat screw |
| 2 | M5 lock tooth washer |
| 2 | M5 flat washer |
| 4 | M6/110 hex screw |
| 8 | M6 flat washer |
| 4 | M6 spring washer |
| 4 | M6 nut |

Technical Support

For technical support, please visit the Microchip Technical Support Portal at www.microchip.com/support.

Ordering Information

| Part Number | Name | Description |
|---------------|-------------|------------------------------------|
| PD-OUT/MBK/ET | Outdoor MBK | Mounting bracket for the ET family |

Contact Microchip for other options

About Microchip mPoE



Microchip multi-Power over Ethernet (mPoE) is a technology that powers any wired network device seamlessly and efficiently, making it the ideal solution for Ethernet-based applications. Leveraging a uniquely designed algorithm, this technology solves interoperability issues between different PoE standards and legacy solutions to provide an international network power standard. As a pioneer in PoE technology, we offer a comprehensive end-to-end portfolio of PoE solutions comprised of PoE ICs and PoE systems (midspans/injectors and switches).